



PROTECT

combined with active carbon



698792

FH902



CA

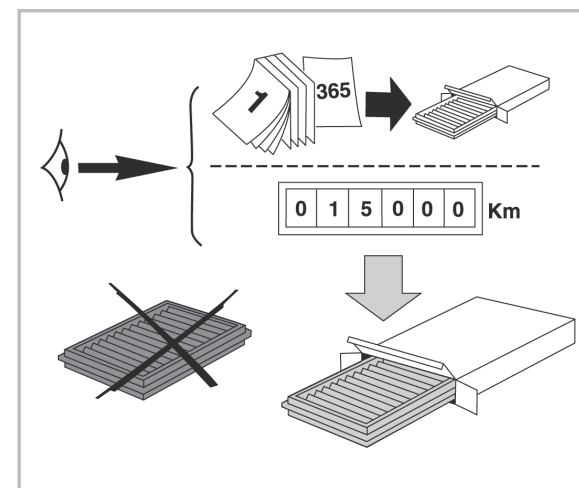
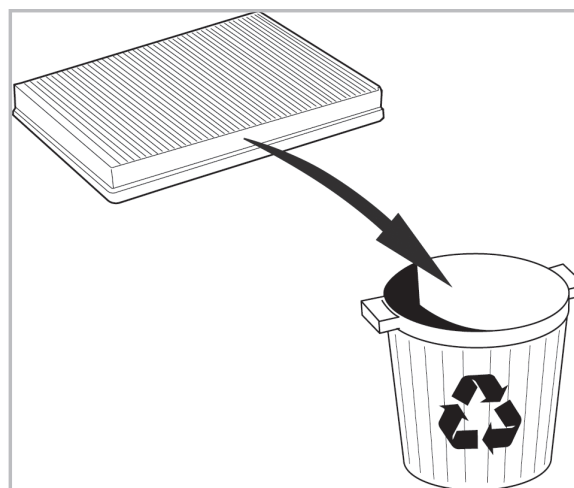
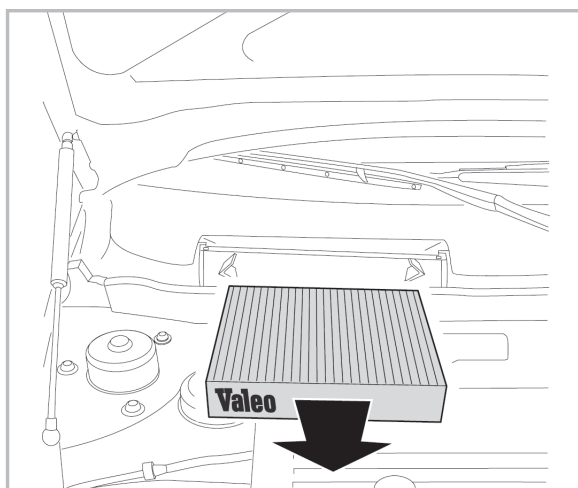
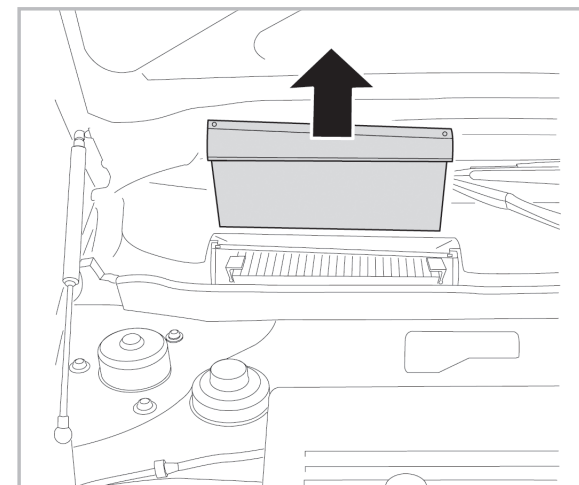
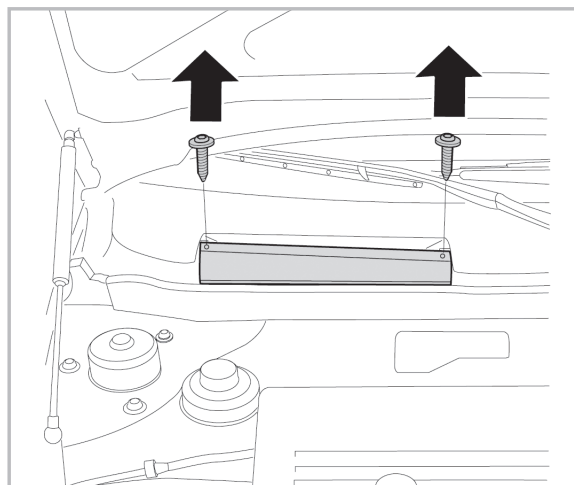
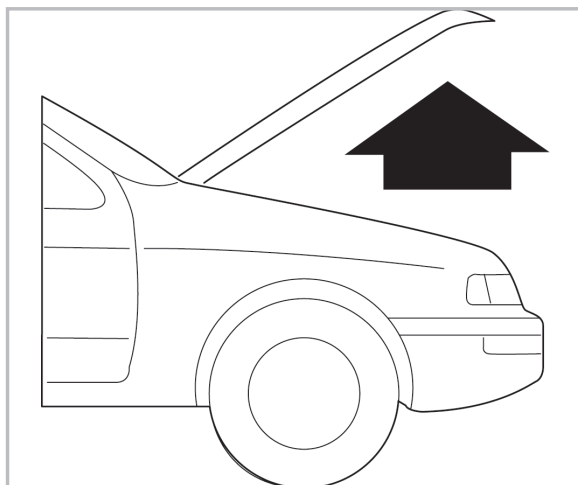
WANT TO KNOW MORE?



www.valeo-techassist.com

FOR  
AUDI

A8 A/C+/- (11/02 >) / S8 A/C+ (06/06 > 03/12)



Valeo Service - Société par Actions simplifiée - Capital de 12 900 000€ - 70, rue Playel, 93285 Saint-Denis Cedex - France - B 306 486 408 RCS Bobigny